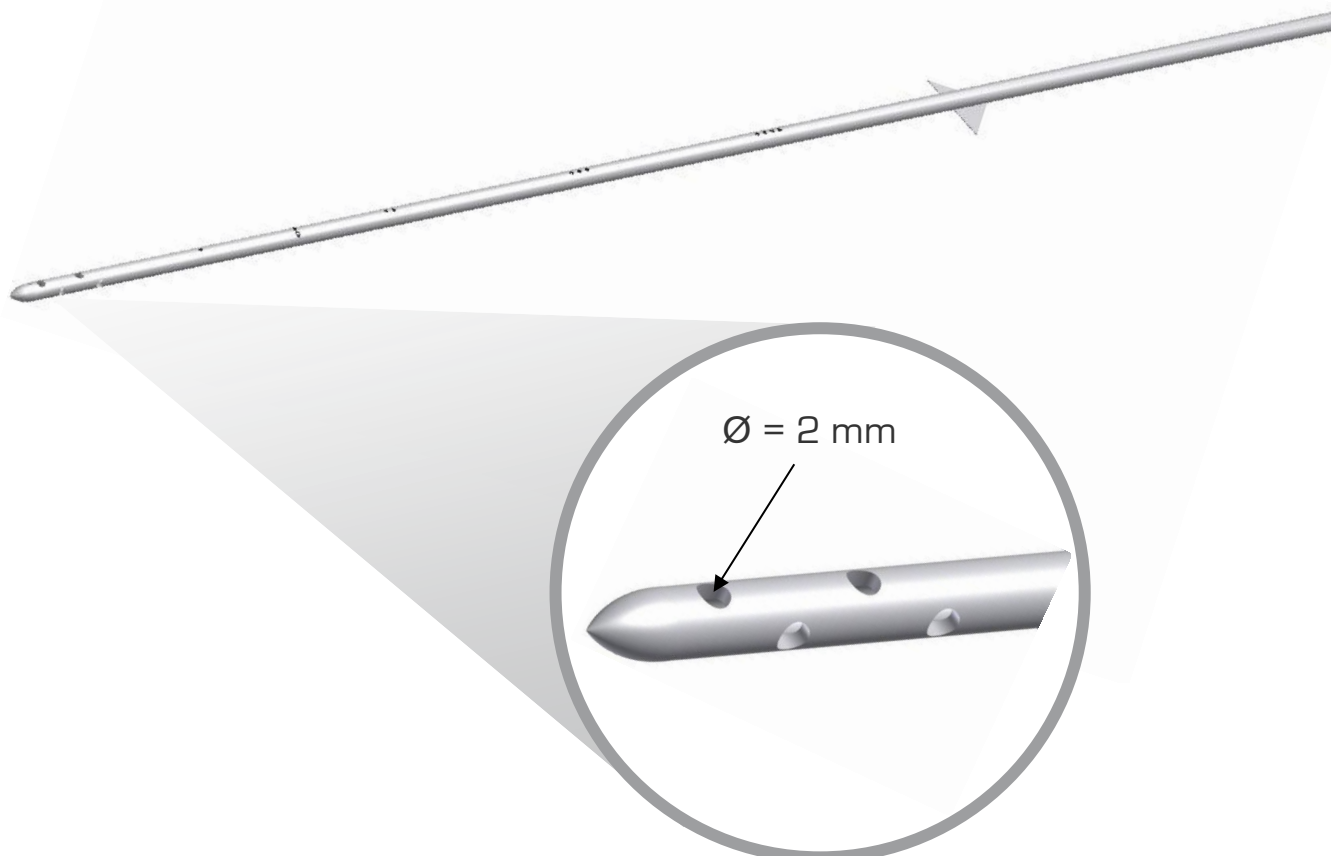


Indications

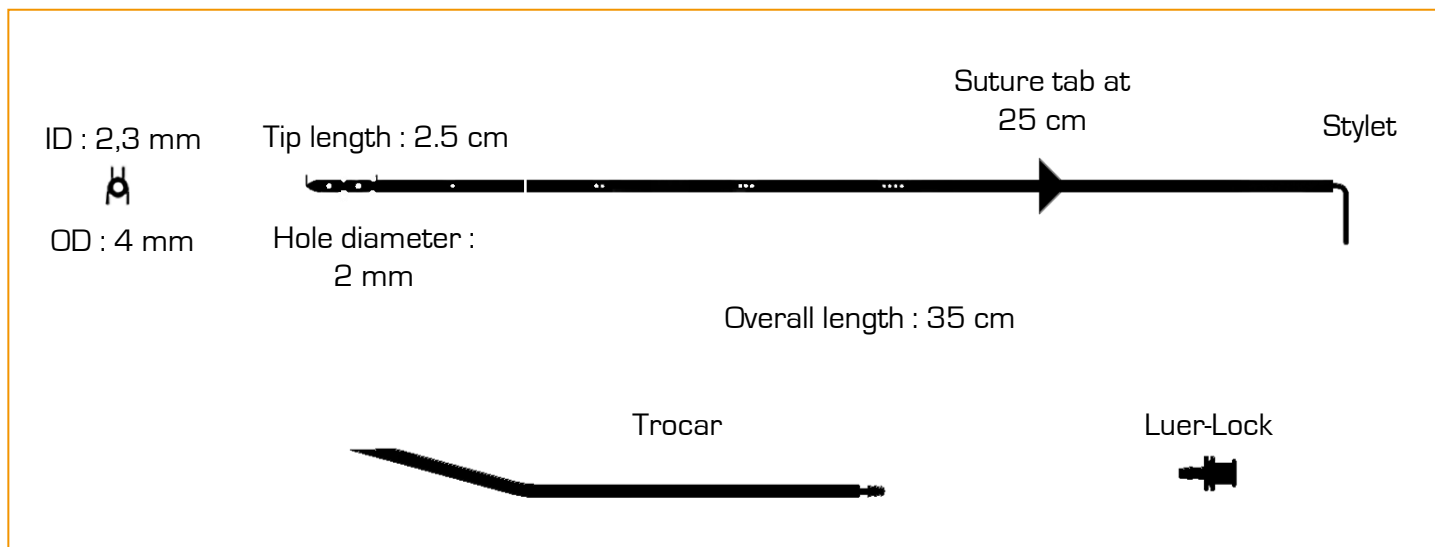
- ◆ External drainage of heavy intra-ventricular hemorrhage
- ◆ External drainage of subdural hematomas



Features & Benefits

- ◆ Decreased obstruction :
 - Large hole diameter (2mm)
 - Large lumen (2,3mm)
- ◆ Easy to use :
 - Graduated markers allow precise adjustment of the intracranial length
 - Pre-attached flexible suture tab allows easy fixation
 - Firm and flexible medical grade silicone elastomer ensures easy handling
 - Luer-Lock allows easy connection to most external CSF collection systems

Technical description



- ◆ Material : radiopaque silicone elastomer
- ◆ Overall length : 35 cm
- ◆ Graduated markers at 5 cm, 7.5 cm, 10 cm, 15 cm and 20 cm
- ◆ Kit includes :
 - Graduated catheter with suture tab at 25cm from the proximal end
 - Pre-inserted stylet
 - Female luer-lock
 - Tunneling trocar

This product is a medical device. We invite you to read the appropriate instructions for use to get more information.

Product code

FVPC 4

Kubala External Drainage Catheter



 **PHOENIX**
NEURO by  **SOPHYSA**

Sophysa
5, rue Guy Môquet
91 400 Orsay - France
Tel. : +33 (0)1 69 35 35 00
Fax : +33 (0)1 69 35 36 90

Sophysa Benelux
Chaussée Bara 68
1420 Braine-l'Alleud - Belgique
Tel. : +32 (0)23 87 19 48
Fax : +32 (0)23 87 46 83

Sophysa USA
303 S Main Street
Crown Point, IN 46307 - USA
Tel. : +1 219 663 7711
Fax : +1 219 663 7741